

Technical Data Sheet

Description: Combination angle-valve, brass-chrome with backflow preventer, push rosette and hose screw connection test-mark PA- No.: PA-IX 751/IIA

Ref. No.: 00 1720 1050 001 with standard handle (connection G3/8")
00 1720 1550 001 with standard handle (connection G1/2")
00 7120 1050 001 with design handle (connection G3/8")
00 7120 1550 001 with design handle (connection G1/2")



Technical Data

Medium: to be used for potable water and other neutral liquids

Temperature: max. 90°C

Operating pressure: max. 10 bar (PN 10)

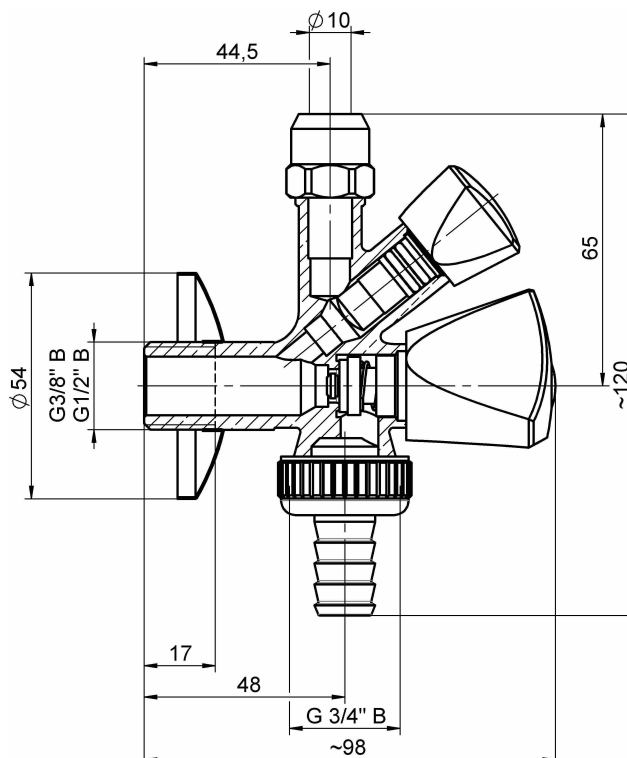
Thread: ISO 228 part 1 (G-thread)

Surface: chrome-plated

Materials: Housing: brass
Top part: brass
Conical seal: POM
Top part seal: EPDM

Connection thread: G3/8" und G1/2"

Connection screw: 10mm



Date: February 2016
Subject to technical change